

This equipment can be installed and operated by individuals without previous training.

1. This equipment is available for 220-240VAC supply voltage and loads. Please verify that this model matches your AC mains / load voltage requirements.
2. This equipment is designed for commercial use only. The manufacturer neither recommends nor knowingly sells this product for use in critical life support applications.
3. This AVR must be earthed at all times during operation. Connect only to a mains supply socket outlet with an earth connector. A means of disconnection of the mains supply should be within 2 meters of the AVR
4. The AVR relies on your building wiring over-current protection, which must be rated between 5-70 amperes.

**5. CAUTION:**

Although your AVR has been designed and manufactured to assure personal safety, improper use can result in electrical shock or fire. To insure safety, please observe the following rules:

- ◆ Turn off and unplug your AVR before cleaning. Do not use liquid or aerosol cleaners. A dry cloth is recommended to remove dust from the surface of your AVR, do not install or operate your AVR near water.
- ◆ Do not place the AVR on an unstable cart, stand or table.
- ◆ Do not place the AVR under direct sunlight or close to heat emitting sources.
- ◆ Do not place the AVR power cord in any area where it may get damaged by heavy objects.
- ◆ Do not overload or short circuit the AVR .
- ◆ Follow all warnings and instructions marked on the AVR.

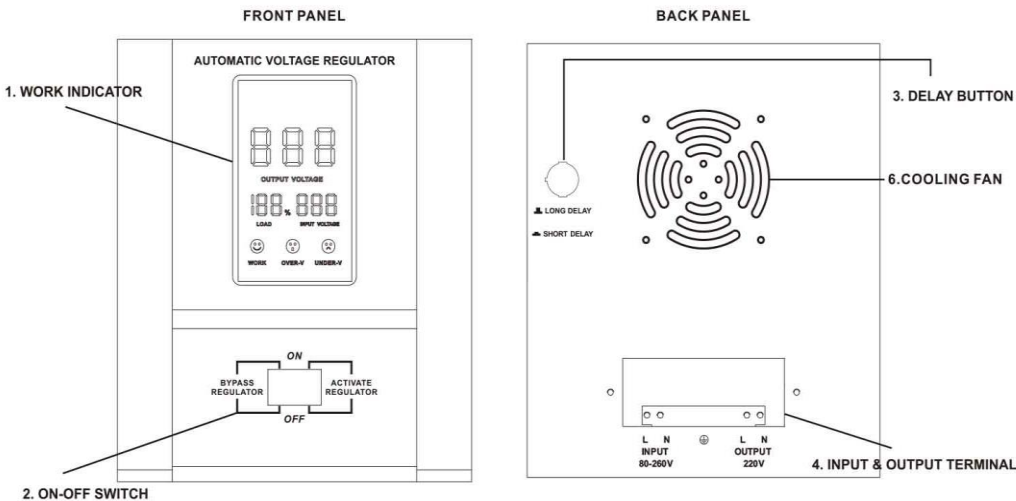
### AC. AUTOMATIC VOLTAGE REGULATOR



**Model: AVR-500VA/1000VA/1500VA/2000VA/3000VA/  
5000VA/7500VA/10KVA**

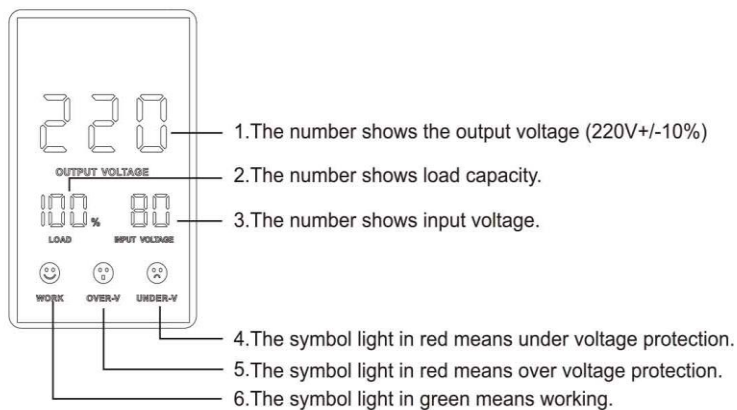
Before operating this product, please read these instructions carefully.

## Presentation



1. Work Indicator- Show the work status of the machine
2. On-off Switch-Turn on and turn off the machine
3. Delay time selector
4. Power plug to the mains electricity(for 500va to 2Kva)  
(Input and output terminal block(for 3Kva and above models))
5. Cooling fan

### WORK INDICATION PRESENTATION



### Caution:

- a. Total power of the connected load should not exceed the capacity of the AVR.
- b. Check the marks on the AVR, identify the bypass sockets, make sure that the load connected to the bypass outlets are unessential appliances which do not necessarily require voltage regulation

Specification	
Characteristic	Specification
Model	<b>500VA-10KVA</b>
Input Range	100-260V
Frequency	50/60Hz
Output Voltage	220V±10%
Efficiency	>98%
Number of phase	1
Display	LED
Power LED	Yes
Protection LED	Yes
Delay LED	Yes
Delay Time	6seconds/180seconds selectable
Low voltage cut	180V±10V
High voltage cut	250V±5V
Temperature protection	120±10 degrees celsius
Operation Temperature	0~40degrees celsius
Relative Humidity	10%~102%
Atmospheric Pressure	84~107Kpa

### 6. ATTENTION:

Turn off and unplug your AVR from the outlet and contact qualified service personnel if:

- ◆ The power cord or plug damaged.
- ◆ Liquid has been spilled on the AVR or it emits a strange smell from inside.
- ◆ The fuse blows frequently or the circuit breaker trips frequently
- ◆ The AVR does not operate even when user follows the operating instructions.